

## Zehnder ZIP

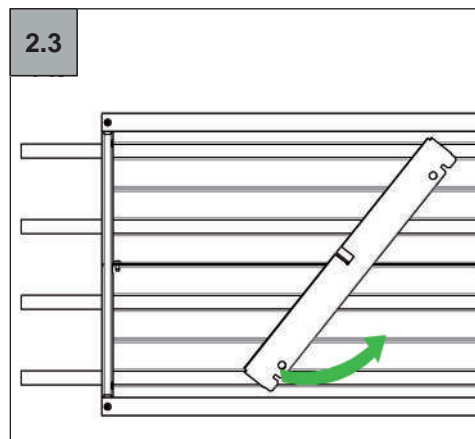
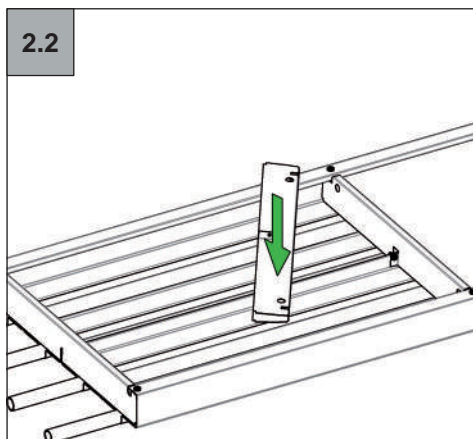
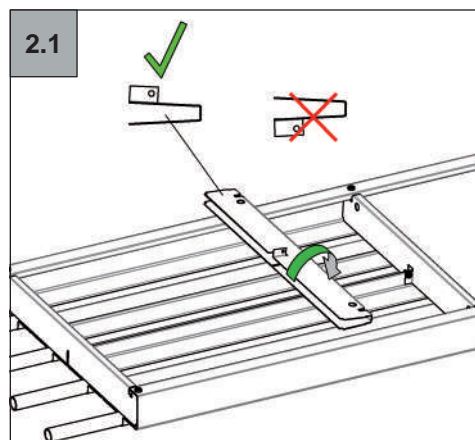
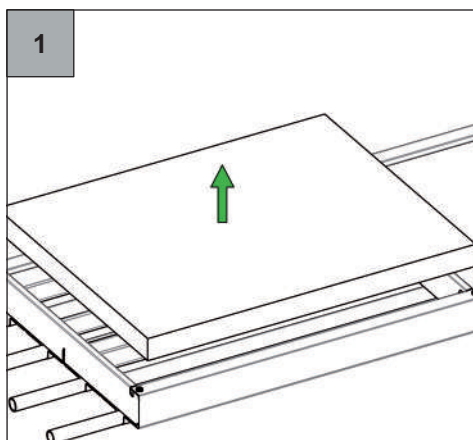
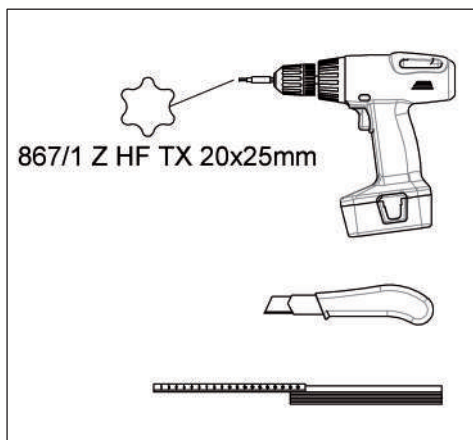
BAR-ZIP-SET-HGR-L317-W37-T0.63-0002/SCR

506250

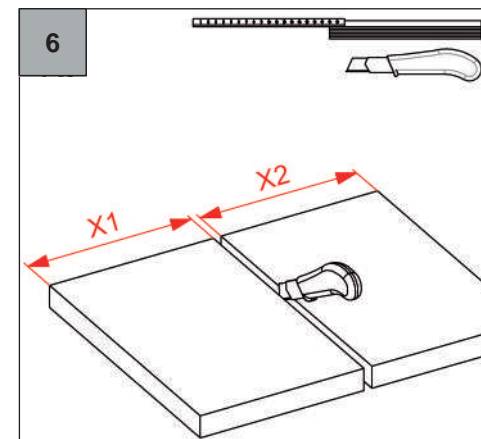
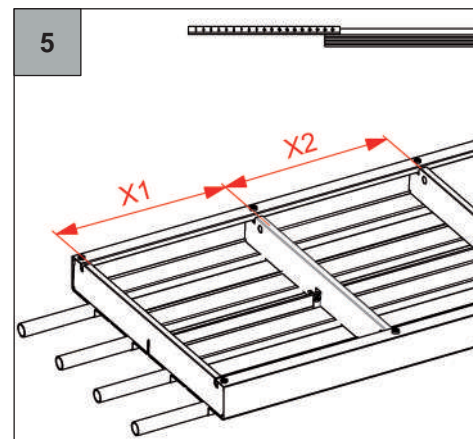
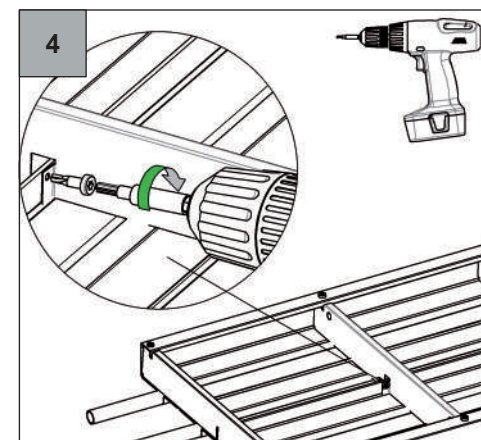
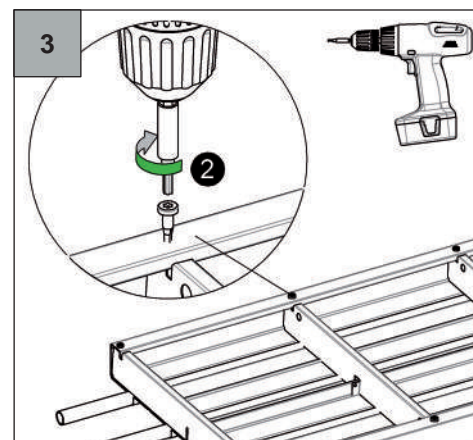
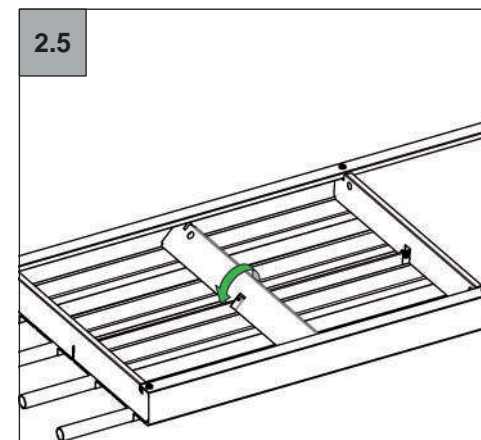
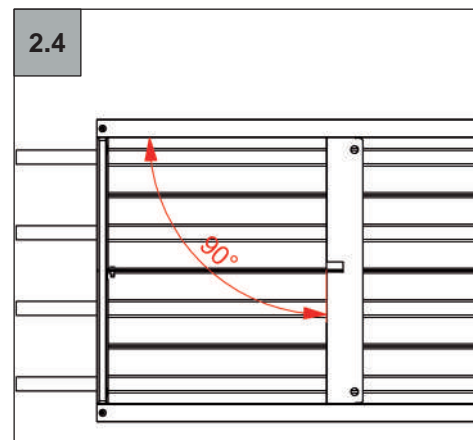
**zehnder**

always  
around you





2



3